

Series RA-400

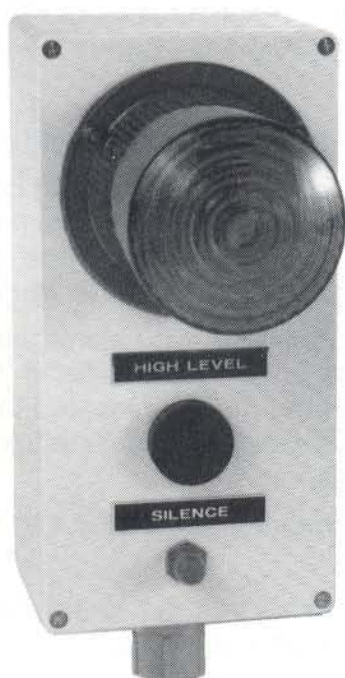
Remote Alarm Panels

The Series RA-400 alarm panels can be used to provide **REMOTE** audible/visual alarms for a variety of systems.

Tank Gauging for Overfill/Low Level Alarms

Leak Detection for Tank and Piping Alarms

Remediation System Alarms



MODEL RA-420



MODEL RA-410

Features

- U.L. Listed
- Audible/Visual Alarms
- Easily Maintained
- Simple Component Approach
- Low Cost
- Reliable
- Flexible
- Easily Modified to Fit Specific Applications

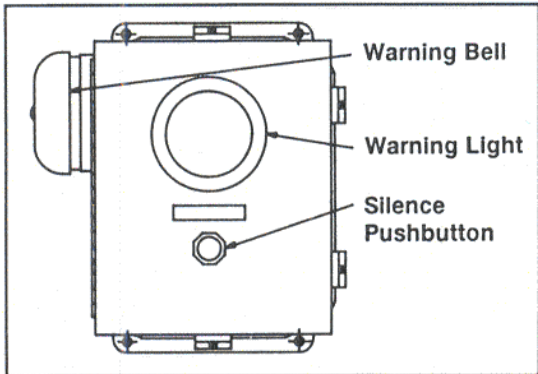


WARRICK
CONTROLS

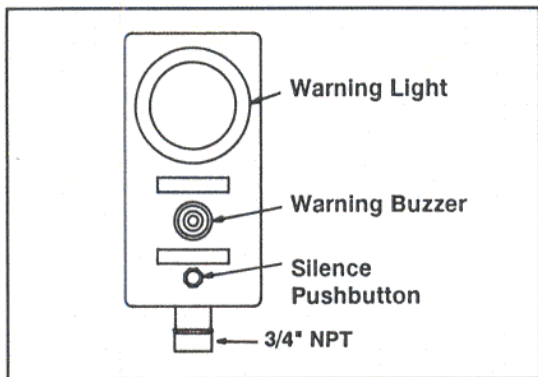
When control is absolutely essential

MEMBER
PEI
PETROLEUM EQUIPMENT INSTITUTE

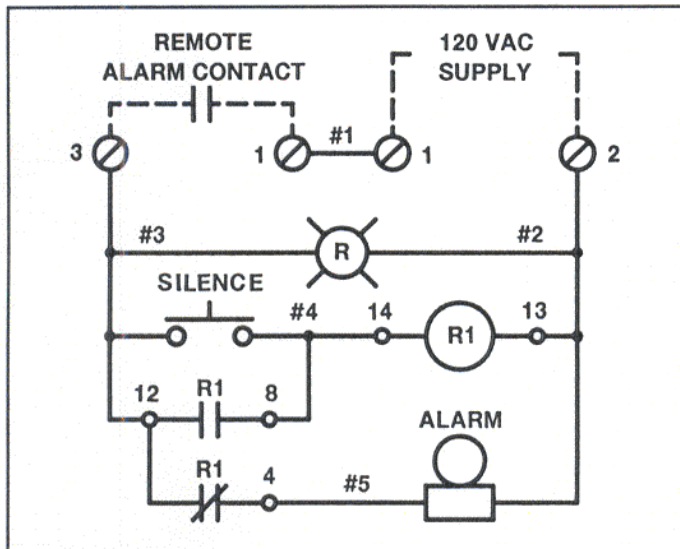
REMOTE ALARM PANELS



MODEL RA-410



MODEL RA-420



MODEL RA-410 /420 WIRING DIAGRAM

Panel Specifications

Model	RA-410	RA-420
Enclosure	NEMA 4 epoxy coated steel (10H x 8w x 6d)	NEMA 3R polycarbonate (10h x 5w, x 4d)
Supply Voltage	120 VAC	120 VAC
Alarm Type	Bell (98 dB)	Buzzer (60-80 dB)

For information on remote alarms designed for in-plant use, complete with adjustable audible alarm and LED status indication, request bulletin 430 on Warrick's Series RA-430.

Installation and Operating Instructions:

Each panel comes standard with both high and low level alarm, self adhesive name plates. Choose the appropriate nameplate, peel off the protective backing and place on enclosure.

Mount the Series RA-400 alarm panel in a **Non-Hazardous** location. Note: if the alarm panel or its wiring must be located in a **HAZARDOUS** area, contact Warrick for further recommendations.

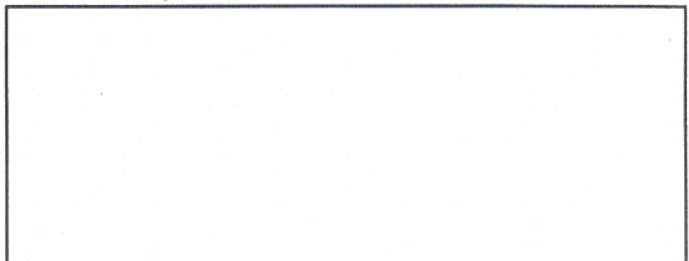
Connect terminal pair 1-2 to a 120 VAC supply line.

Connect terminal pair 3-1 to a set of normally open remote alarm contacts.

OPERATION:

If the remote normally open alarm contact connected to terminal pair 3-1 close, the RED alarm light, and bell will be energized. The bell can be silenced by momentarily depressing the SILENCE push button, however, the light will remain on until the abnormal condition is corrected.

Represented By:



Gems Sensors Inc.
 One Cowles Road
 Plainville, CT 06062
 Tel: (860)793-4579
 Fax: (860)793-4580
www.gemssensors.com

When Control is Absolutely Essential